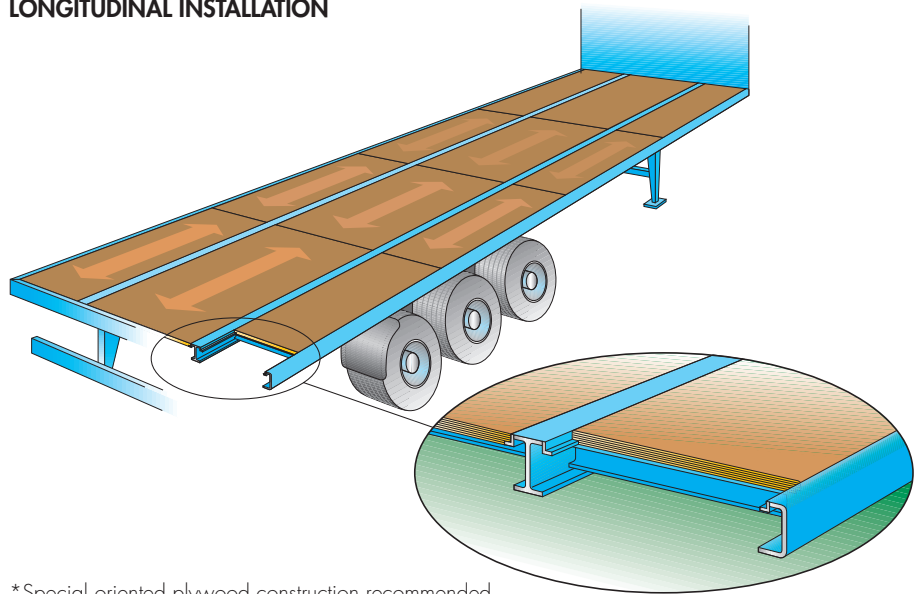


WISA® Trailer Floor Installation

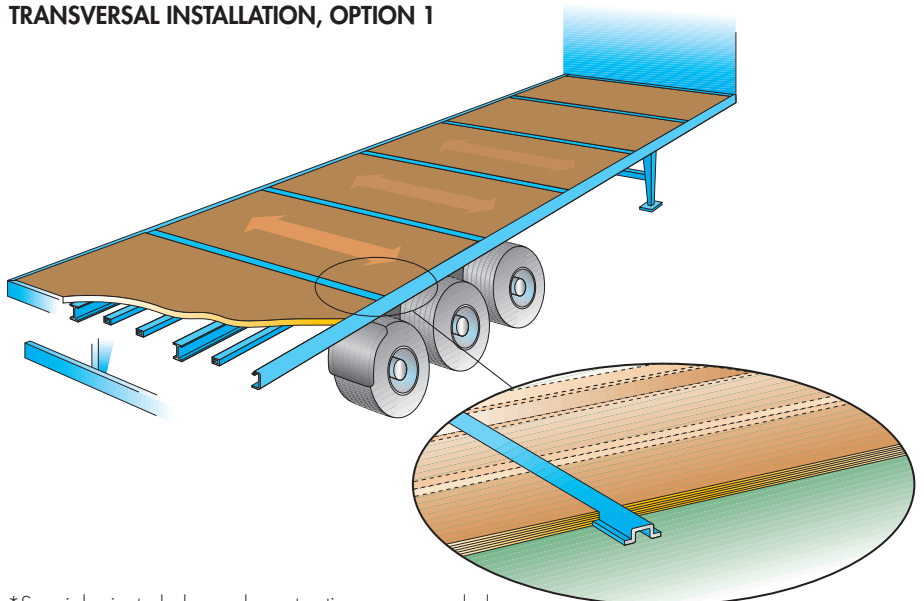
Sustainable WISA plywood is an excellent choice for demanding vehicle floor applications. Being made of hard, dense grained birch, the panels are stable, durable and ecological in use. A wide product and size range helps to find the most suitable panel for diverse requirements in trailer industry. Panels are available machined for quick installation. Correct installation method ensures the performance and improves the service life of the panels.

LONGITUDINAL INSTALLATION



*Special oriented plywood construction recommended

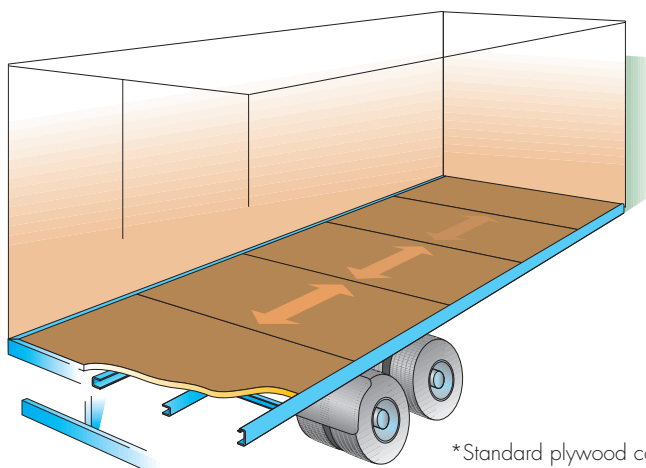
TRANSVERSAL INSTALLATION, OPTION 1



*Special oriented plywood construction recommended



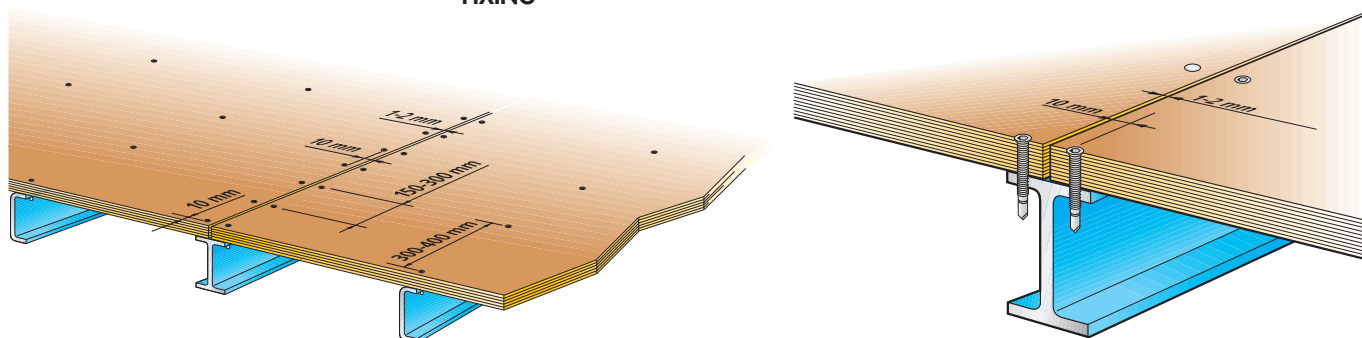
TRANSVERSAL INSTALLATION, OPTION 2



Floor Assembly

- The joint between the plywood panels must be on the same level
- The joints between boards must be filled with sealing compound
- The plywood edges must be sealed before assembly. Carefull edge sealing is especially important if plywood is cut before assembly.
- Gap between panels minimum 1–2 mm

FIXING



- Spacing between screws 150–300 mm near to the joint and elsewhere 300–400 mm.
- The distance from the edge of the screw head to the panel edge is minimum 10 mm.
- Acid proof screws to be used
- Protect the screw-heads after installation with sealing compound



UPM Plywood
Niemenkatu 16
P.O. Box 203
FI-15141 Lahti
Finland
Tel. +358 204 15 113
Fax +358 204 15 112

www.wisaplywood.com
www.upm.com

UPM policy is one of continuous development. We reserve the right to amend specifications without notice or obligation.